

# SHUT OFF VALVE LOCKABLE

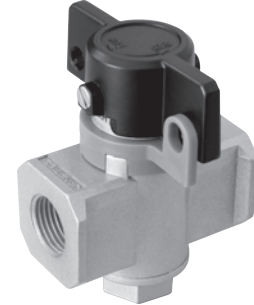
## Series GS2

Cat No GS2 - 01 - 02

### SHUT OFF VALVE LOCKABLE - G1/4, G3/8, G1/2

#### Features

- ❑ Modular mounting with FRL
- ❑ Port thread at both ends
- ❑ Sizes - G1/4, G3/8 & G1/2
- ❑ Window display to show the valve position ( i.e.) the valve is in On condition or Off condition



#### Function

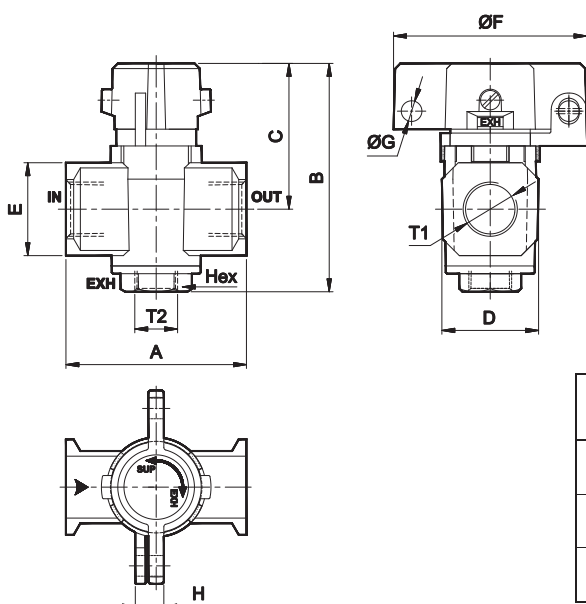
1. Opening and closing of airline with relieving of down stream pressure at closed condition.
2. The valve can be locked at the closing condition (Exhaust 2 → 3)

#### Technical Specifications

Model	GS245L61	GS246L62	GS247L63
Port size	G1/4	G3/8	G1/2
Type	3/2		
Operating pressure range	0 - 10 bar		
Ambient Temperature	-10° to +60° C		
Medium Temperature	+5° to +50° C		
Flow @ (lpm)	1 → 2	1000	2200
	2 → 3	450	1100
Materials of construction	Aluminium, Brass, Nitrile		

® Inlet pressure 6 bar, and pressure drop 1 bar

- Note :** 1. While connecting the valve check the direction of the air flow as per ►  
2. 'Lock' - Not in the scope of supply.



Sl. No	Ordering No.	T1	T2	Hex	A	B	C	D	E	ØF	ØG	H
1	GS245L61	G1/4	G1/8	17	45	73	43	28.5	22	40	3.5	8
2	GS246L62	G3/8	G1/4	19	55	85	52	32.5	28	55	6	11
3	GS247L63	G1/2	G3/8	24	70	94	56.5	37.5	36	75	8	11.5

#### How to Order

While ordering Shut off valve lockable, mention the ordering number given in the corresponding tables.

Subject to change